



Hot Mandrel Tester Model 4300

Friborg Test Technology AB

Mail address

P.O. Box 63
SE-196 22 Kungsängen
Sweden

Visiting address

Kraftvägen 32
SE-196 37 Kungsängen
Sweden

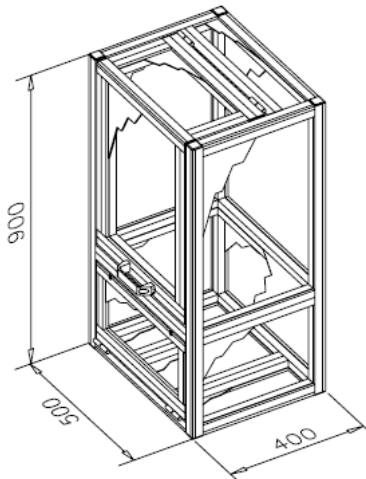
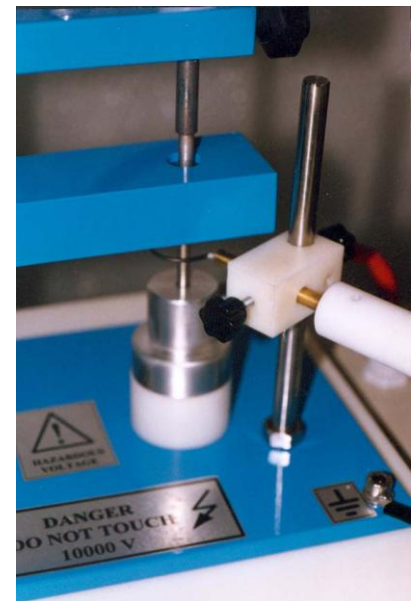
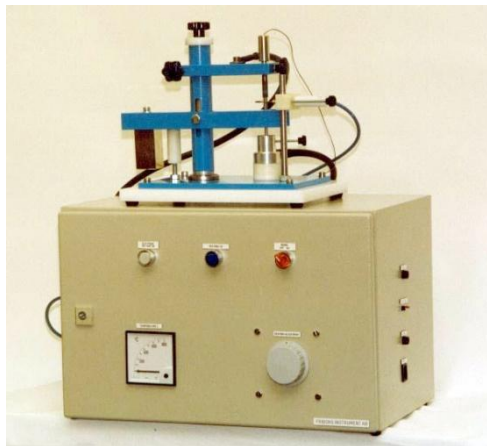
T: +46 (0) 8 581 610 10
F: +46 (0) 8 505 961 50

info@friborg.se
www.friborg.se

A conical steel mandrel electrically heats insulation material to a temperature between 300-500°C in order to determine if flammable gases are generated. The flammability of the gases is tested with a 10kV electrode spark. An electrical unit contains all the controlling devices

Technical Specification

- Hot Mandrel with type K thermocouple Resistance to heat and fire
- Temperature measured with an analogue meter and controlled by a variable transformer and a current transformer
- High voltage ring electrode operating at 10 000 V
- Adjustable platform
- It is delivered with a cabinet



Facts

Standard:

IEC 61029-2-1 Clause 28.2

Components:

-

Weight:

App. 65 kg

Dimensions:

400x500x900 mm (LxWxH)

Supply